

# STREET 35

## SURFACE / WALL - INSTALL GUIDE



Please read this guide carefully before installing or maintaining this equipment. Installation should be undertaken by a licensed electrician only.

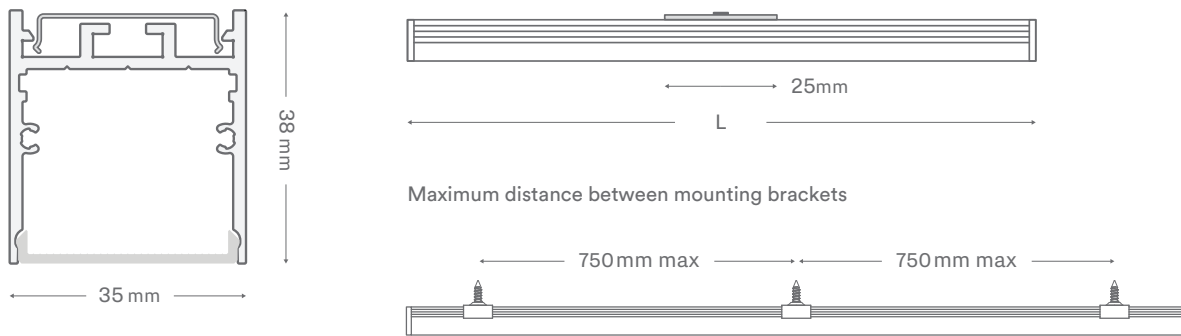


### IMPORTANT!

Before installing power supply, turn off electricity at circuit breaker.

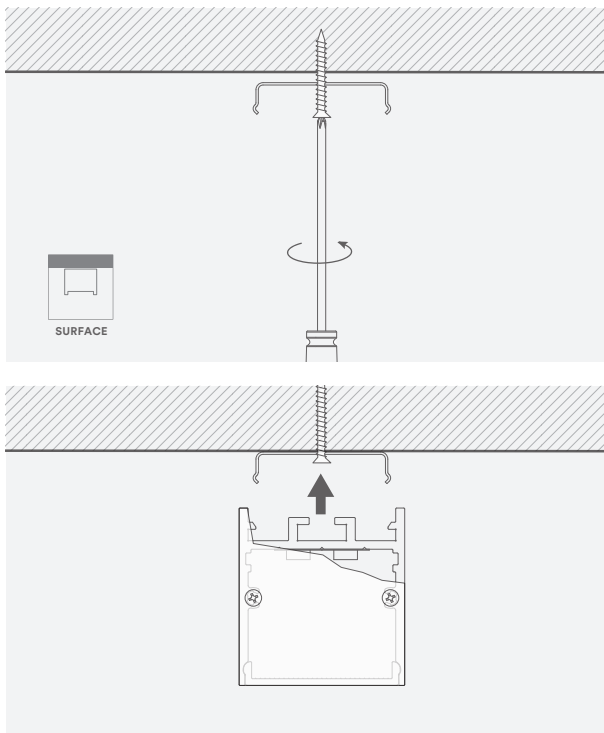
### PROFILE DIMENSIONS

Including standard fixed surface mounting bracket



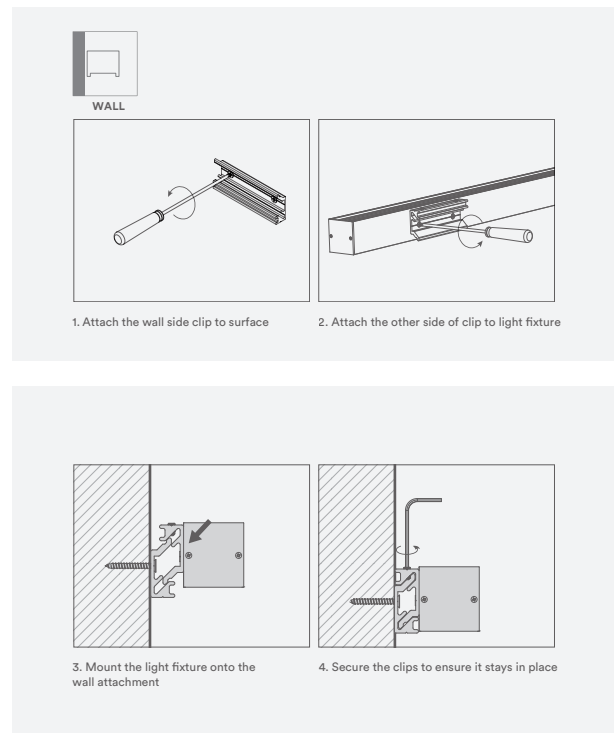
### SURFACE MOUNTING BRACKET

Supplied with profile



### WALL MOUNTING BRACKET

Optional & ordered separately



# STREET 35

## PENDANT – INSTALL GUIDE



Please read this guide carefully before installing or maintaining this equipment. Installation should be undertaken by a licensed electrician only.

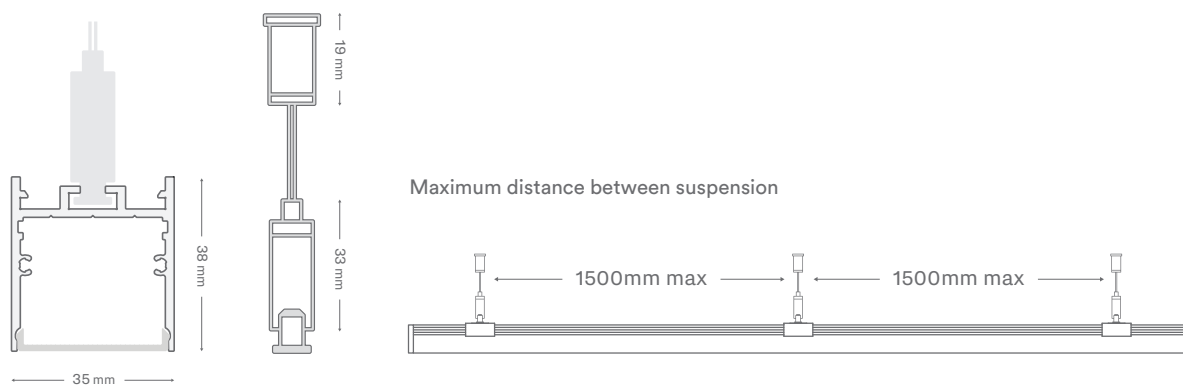


### IMPORTANT!

Before installing power supply, turn off electricity at circuit breaker.

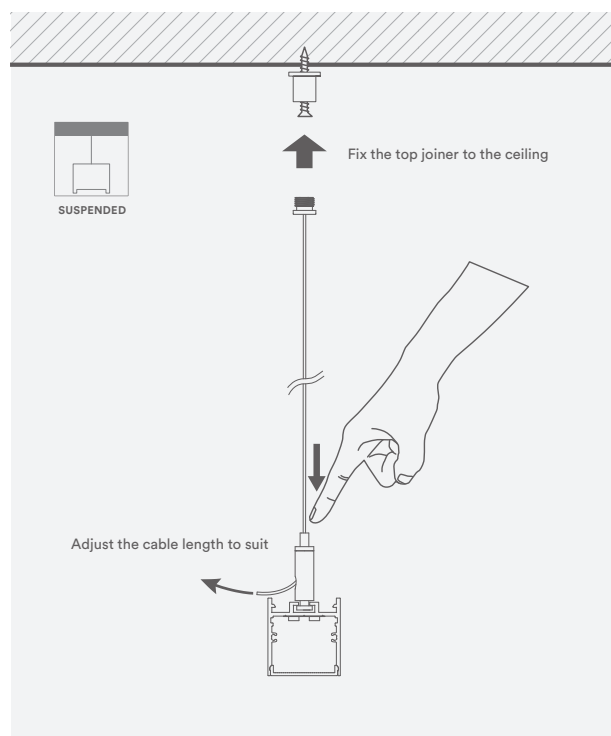
## PROFILE DIMENSIONS

Including standard suspension kit



## PENDANT SUSPENSION KIT

Supplied with profile



# STREET 35

## RECESSED - INSTALL GUIDE



Please read this guide carefully before installing or maintaining this equipment. Installation should be undertaken by a licensed electrician only.

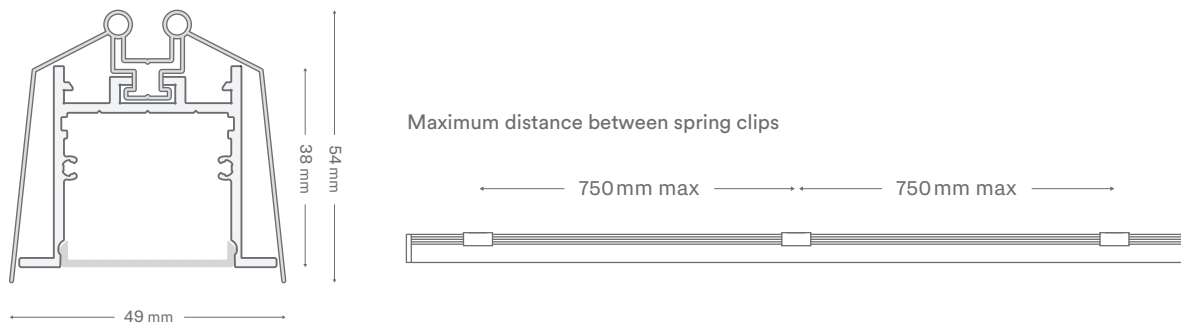


### IMPORTANT!

Before installing power supply, turn off electricity at circuit breaker.

## PROFILE DIMENSIONS

Including standard spring clips



## RECESSED SPRING CLIP

Supplied with profile

