

ALLEY 17

SURFACE / WALL - INSTALL GUIDE



Please read this guide carefully before installing or maintaining this equipment. Installation should be undertaken by a licensed electrician only.

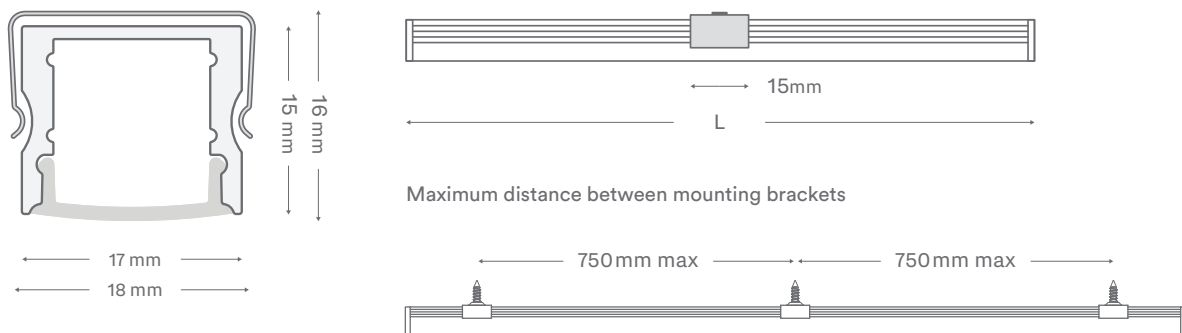


IMPORTANT!

Before installing power supply, turn off electricity at circuit breaker.

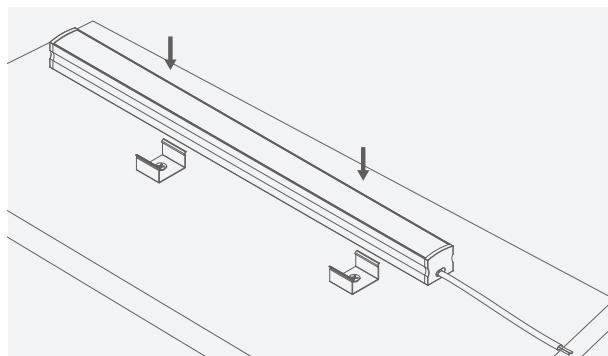
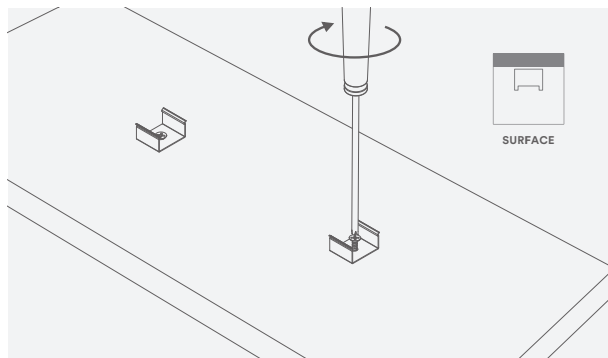
PROFILE DIMENSIONS

Including standard fixed surface mounting bracket



FIXED SURFACE MOUNTING BRACKET

Supplied with profile



ADJUSTABLE SURFACE MOUNTING BRACKET

Optional & ordered separately

