

ALLEY 8

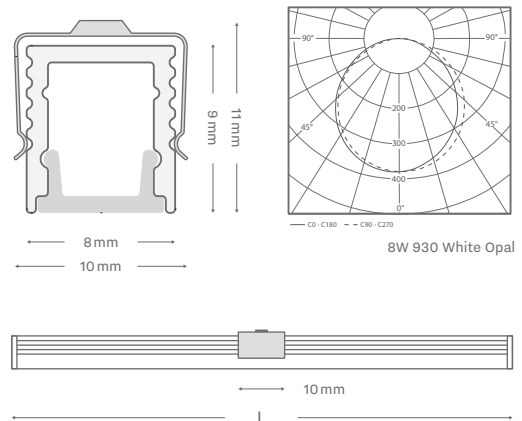
SURFACE / WALL



Alley 8 is a minimalist LED profile ideal for handrails, joinery integration and architectural features. The range includes a wide selection of diffuser options, finishes and colour temperatures – and fully customises to suit your application. Alley 8 supplied complete with end caps and mounting brackets.

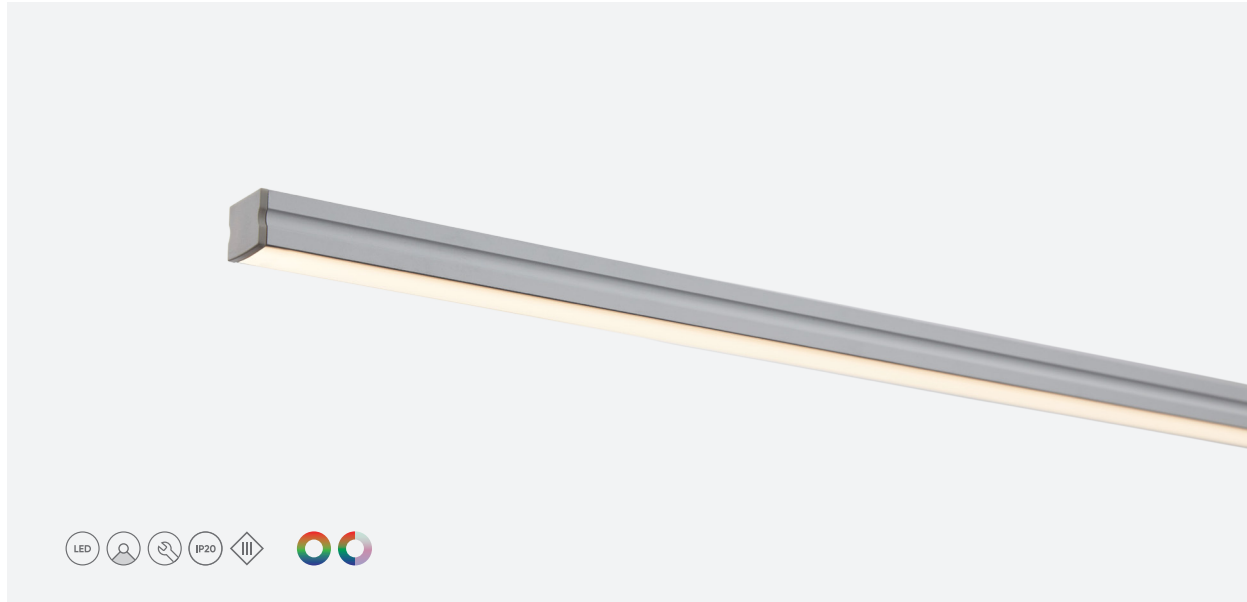
PRODUCT SPECS

Profile Dimension (WxH)	7.8x9mm
Finish	Aluminium, White, Black, Custom
Diffuser	Opal, Black
Mounting	Surface (clips included)
Power	5-8W (per metre)
Lumen Output	66-317 lm (per metre)
Efficacy	Up to 40lm/W
LED Colour Temp	2700K, 3000K, 4000K, 6500K
CRI	>90
LED Binning	3 SDCM
Lifetime L70B50	Up to 50,000hrs
Beam	Symmetric
Driver	Remote 24V DC
Dimming Controls	Non-dim, DALI, 1-10V, Phase dim
Max standard length	3,000mm
Connection Type	Open single end tail 300mm Open double end tail 300mm Male/Female connector 300mm
IP Rating	IP20
Made to Order	Australia



ALLEY 17

SURFACE / WALL



Alley 17 is an architectural LED profile ideal for joinery integration and architectural features. The range includes a wide selection of diffuser options, finishes and colour temperatures – and fully customises to suit your application. Alley 17 supplied complete with end caps and mounting brackets.

PRODUCT SPECS

Profile Dimension (WxH)	17.1x15.2 mm
Finish	Aluminium, White, Black, Custom
Diffuser	Opal, Frost, Clear, Black
Mounting	Surface (clips included)
Power	5-20W (per metre)
Lumen Output	78-1034 lm (per metre)
Efficacy	Up to 62 lm/W
LED Colour Temp	2700K, 3000K, 4000K, 6500K, RGB, RGBW
CRI	>90
LED Binning	3 SDCM, 5SDCM (RGB/RGBW)
Lifetime L70B50	Up to 50,000hrs
Beam	Symmetric
Driver	Remote 24V DC
Dimming Controls	Non-dim, DALI, 1-10V, Phase dim, DMX
Max standard length	3,000mm
Connection Type	Open single end tail 300mm Open double end tail 300mm Male/Female connector 300mm
IP Rating	IP20
Made to Order	Australia

