

PROJECT INFORMATION

Project Name:

Reference:

Quantity:



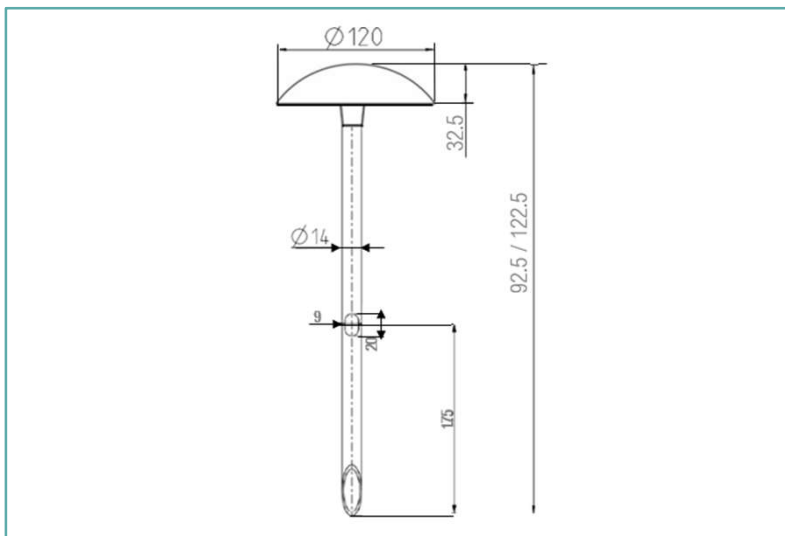
APOLLO Giardino

TECHNICAL DATASHEET



MADE IN ITALY

TECHNICAL DRAWING




FINISHES



PRODUCT CODE

APG = Apollo Giardino

Select one component from each column to specify a complete configuration:

	LED colour	Optics	Finish	Power
	22 = 2200K 27 = 2700K 30 = 3000K	D = Diffused	01 = White RAL 9003 02 = Black RAL 9005 10 = Aged brass 20 = Corten	07 = 7W

Standard configuration example:

APG.30.D.01.07 | Apollo Giardino 3000K diffused optics white 7W

TECHNICAL SHEET

LIGHTING CHARACTERISTICS

CRI	> 90
Lumenoutput (source)	348lm (3000K)
Lumenoutput (delivered)	244lm (3000K)
Optics	Diffused
LED colour temperature	2200K / 2700K / 3000K
LED lifetime	B ₅₀ L ₇₀ > 100,000h
Bin selection	Binning free 2 step MacAdam's

MECHANICAL CHARACTERISTICS

Body	Aluminium anticorodal 6082 / Machined brass
Finishes	White RAL 9003 / Black RAL 9005 / Aged brass / Corten
Installation	Ground Spike
Weight	550g / 1kg
Dimensions	Ø120 mm

ELECTRICAL CHARACTERISTICS

Power supply	24Vdc / Constant Voltage
Power consumption	7 Watt

GENERAL CHARACTERISTICS

Power supply cables	200 cm 2x0,5 mm ²
Operating temperature	-20°C + 50°C
IP rating	IP66
Insulation class	Class III
Photobiological risk	RG0

ACCESSORIES



Ground Spike 60cm

Gound Spike 90cm

Art. Nr

ACC. 149.xx.060

ACC. 149.xx.090



Cables 5m

Cables 10m

Cables 15m

Cables 20m

Cables 25m

Art. Nr

CV00037

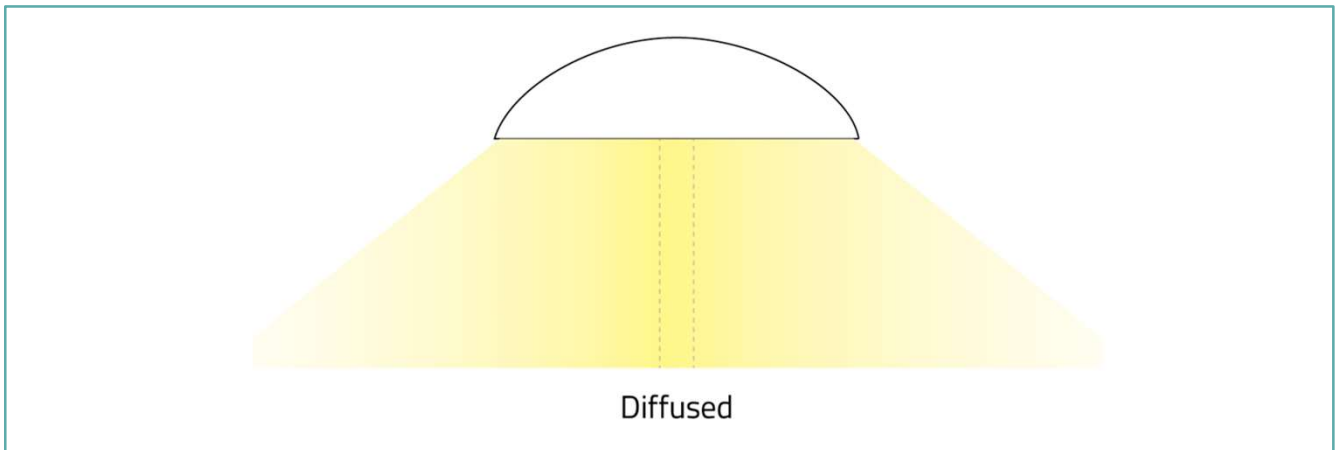
CV00040

CV00041

CV00042

CV00043

OPTICS



PHOTOMETRICS

