

PROJECT INFORMATION

Project Name:

Reference:

Quantity:



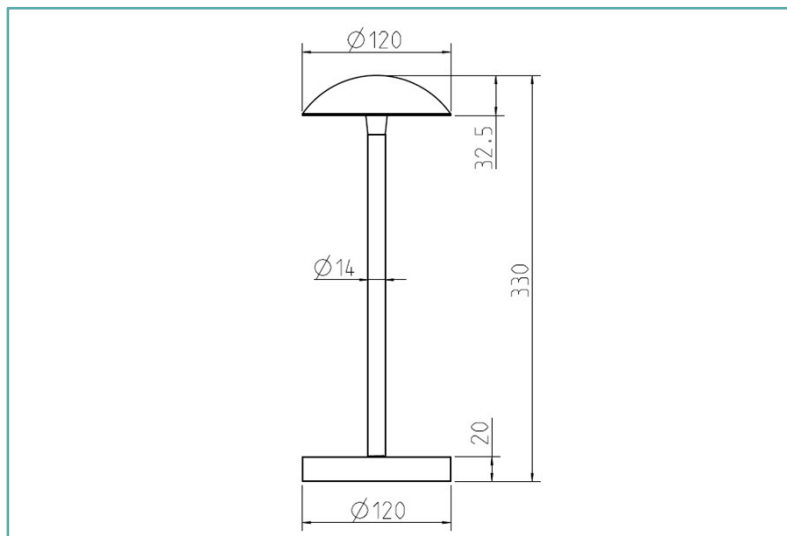
APOLLO Caffè

TECHNICAL DATASHEET



MADE IN ITALY

TECHNICAL DRAWING



FINISHES



PRODUCT CODE

APC = Apollo Caffè	Select one component from each column to specify a complete configuration:			
	LED colour	Optics	Finish	Power
	22 = 2200K 27 = 2700K 30 = 3000K	D = Diffused	01 = White RAL 9003 02 = Black RAL 9005 10 = Aged brass 20 = Corten	02 = 2W

Standard configuration example:

APC.30.D.01.02 | Apollo Caffè 3000K diffused optics white 2W

TECHNICAL SHEET

LIGHTING CHARACTERISTICS

CRI	> 90
Lumenoutput (source)	147lm (3000K)
Lumenoutput (delivered)	103lm (3000K)
Optics	Diffused
LED colour temperature	2200K / 2700K / 3000K
LED lifetime	B ₅₀ L ₇₀ > 100,000h
Bin selection	Binning free 2 step MacAdam's

MECHANICAL CHARACTERISTICS

Body	Aluminium anticorodal 6082 / Machined brass
Finishes	White RAL 9003 / Black RAL 9005 / Aged brass / Corten
Weight	1kg / 2kg
Dimensions	Ø120 mm

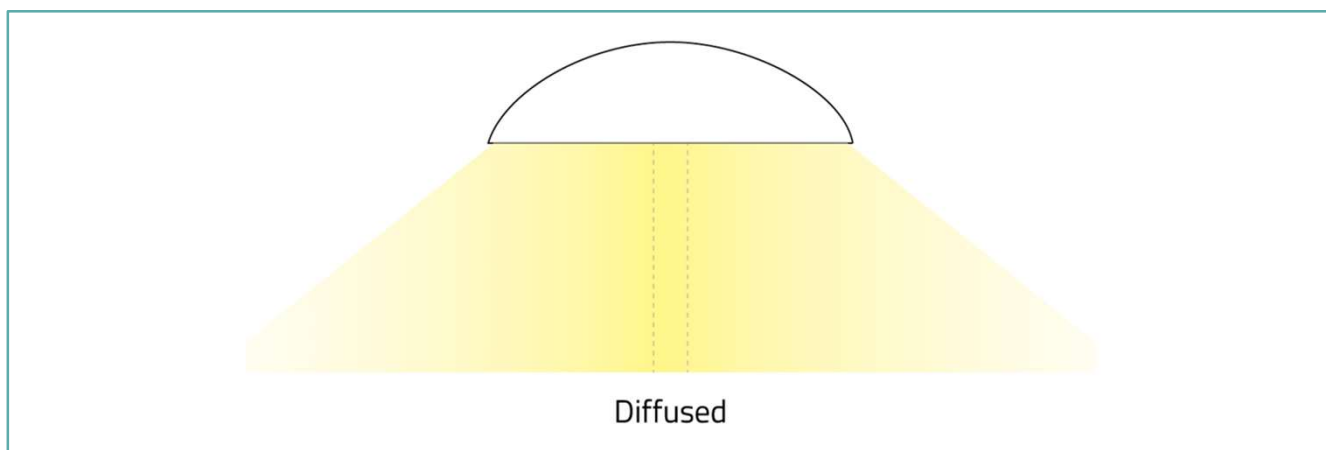
ELECTRICAL CHARACTERISTICS

Power supply	Integrated battery
Power consumption	2 Watt

GENERAL CHARACTERISTICS

Power supply cables	Micro USB plug
Operating temperature	-20°C + 50°C
IP rating	IP66
Photobiological risk	RG0

OPTICS



PHOTOMETRICS

